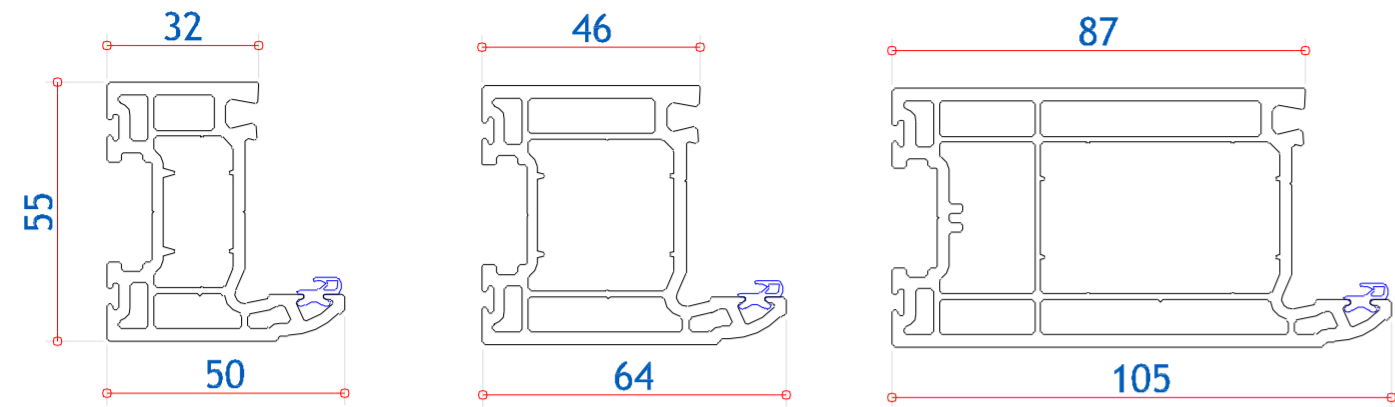


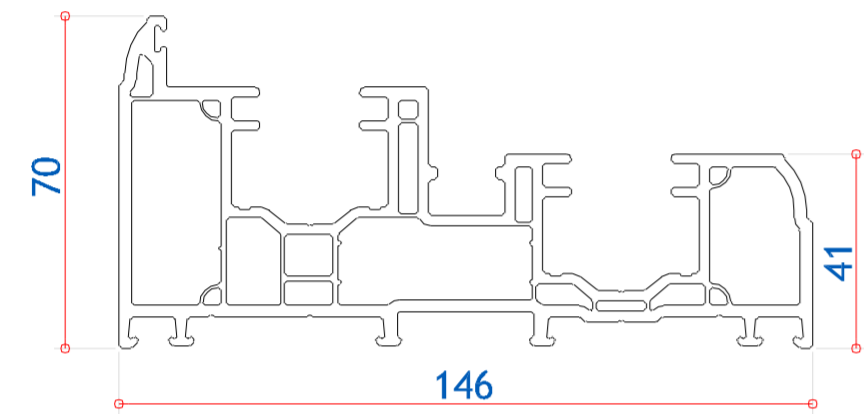
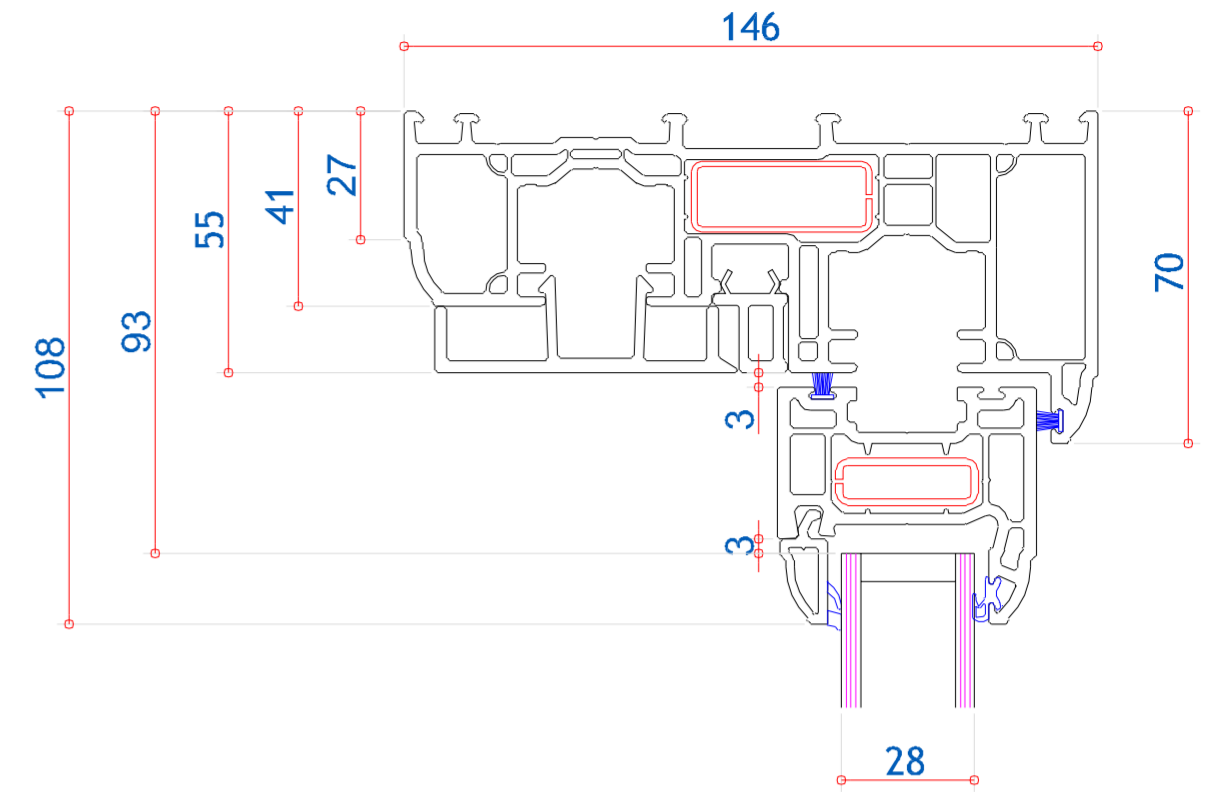
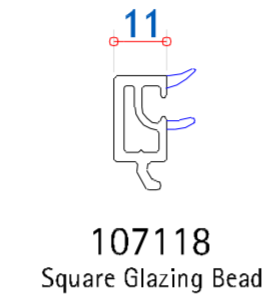
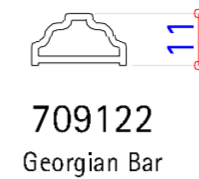
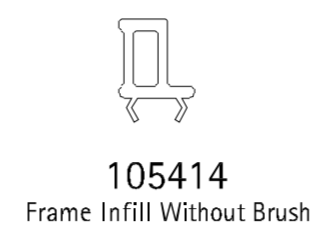
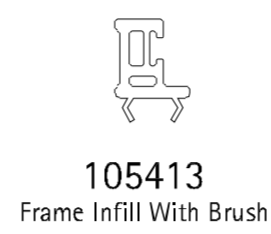
imagine VERTICAL SLIDER | MAIN COMPONENTS & ANCILLARIES WALLCHART



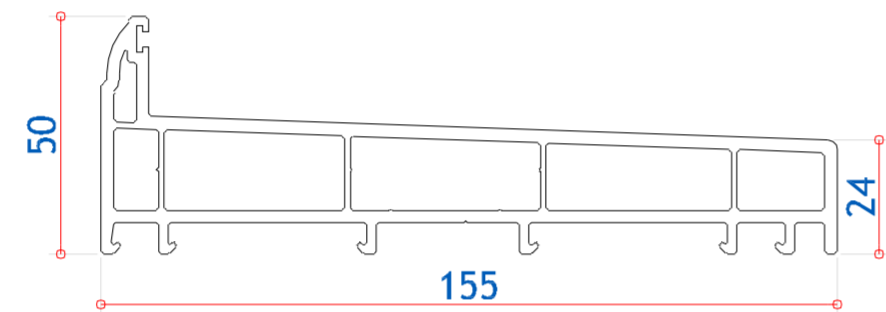
105032
50mm Upper Sash
Steel Box 113020
Aluminium Box 115119

105033
64mm Lower Sash*
Steel Box 113314
Aluminium Box 115120
**Also used in upper sashes when trickle vents are required*

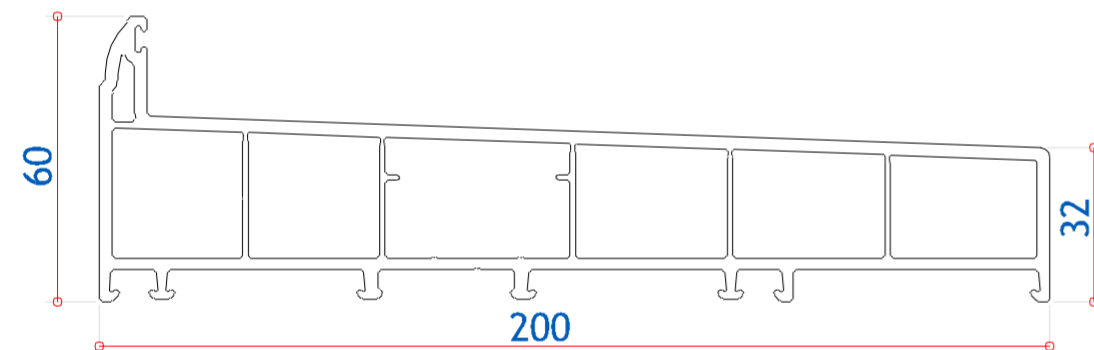
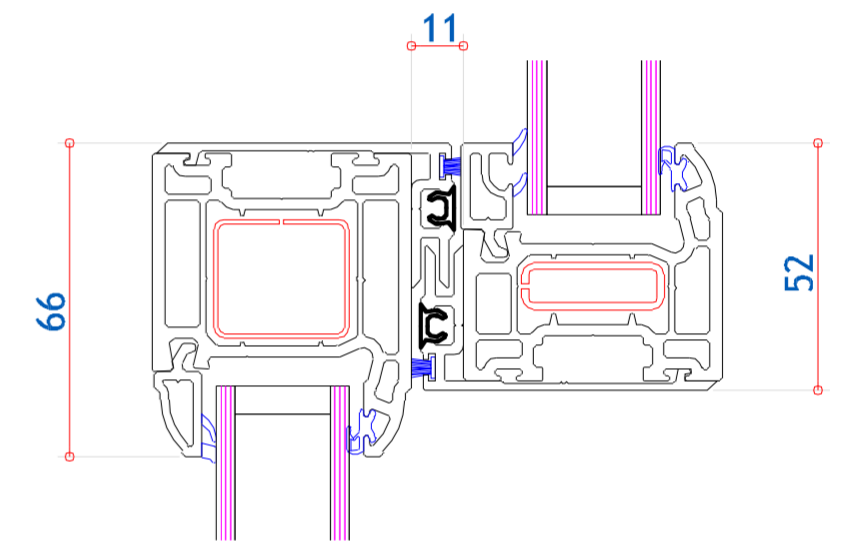
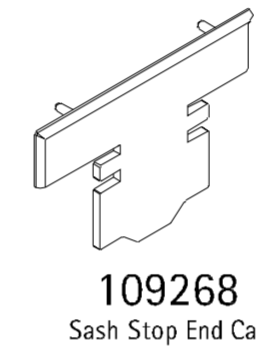
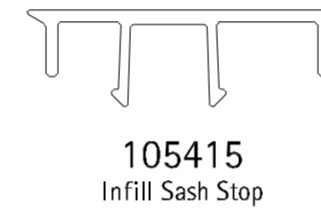
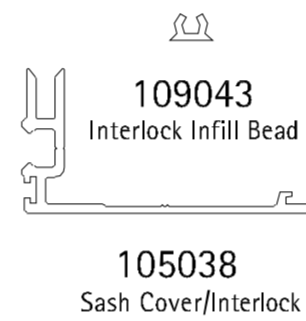
105034
105mm Lower Sash Bottom Rail
Aluminium Box 115287
Steel Box 113020



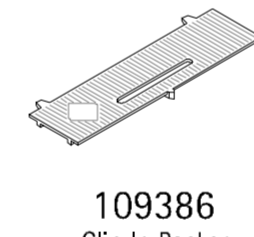
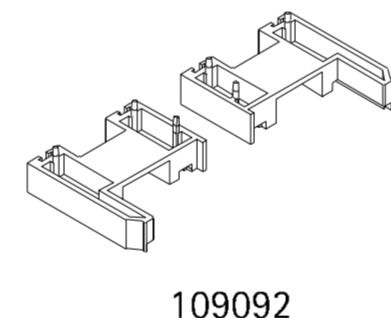
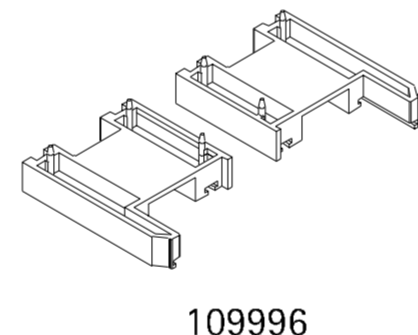
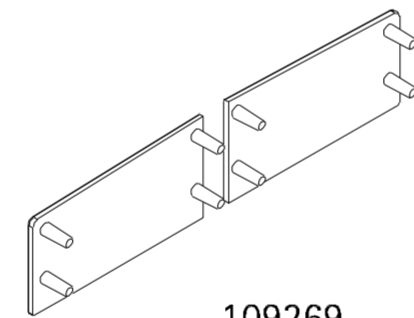
105411
70mm Outer Frame
Steel Box 113073



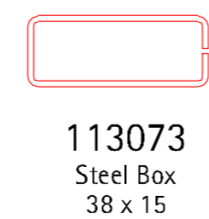
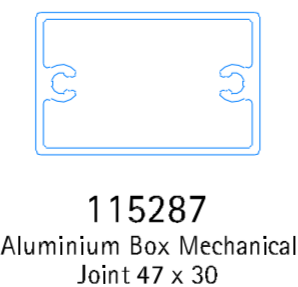
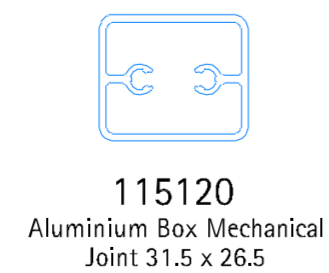
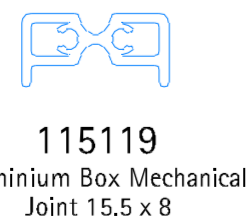
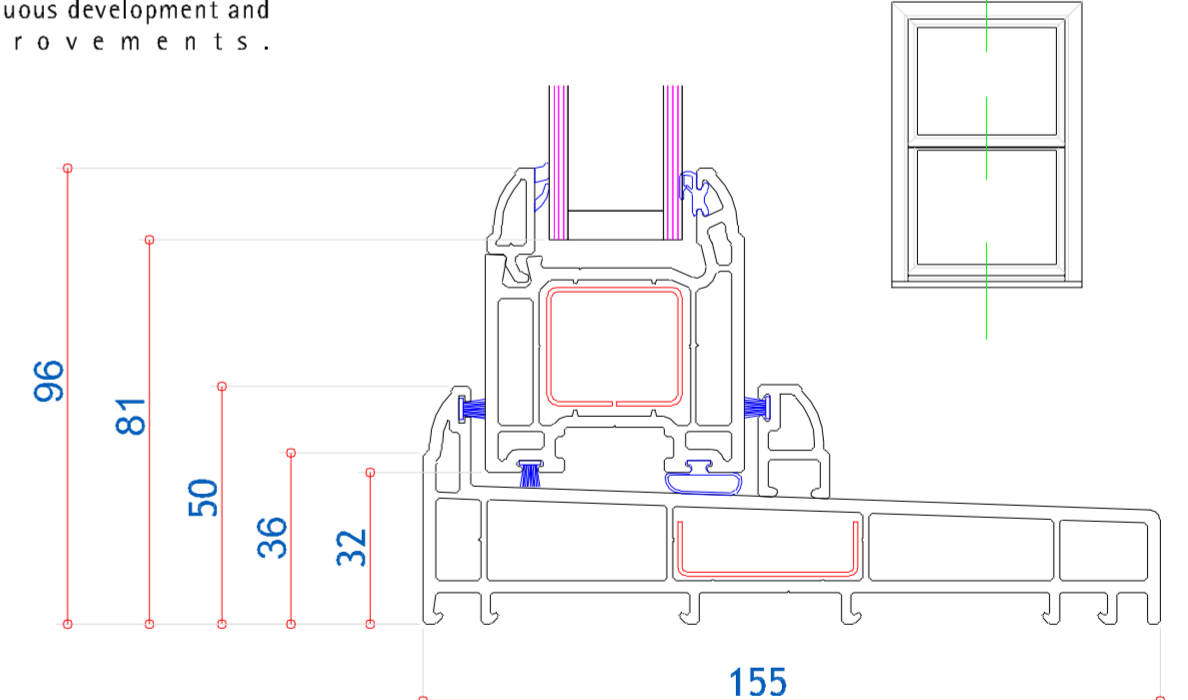
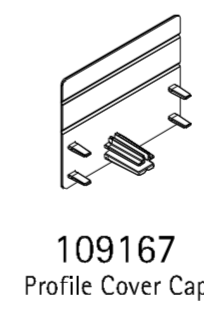
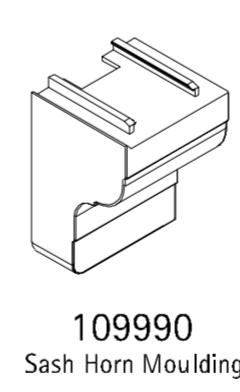
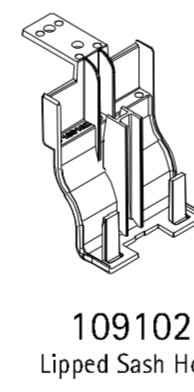
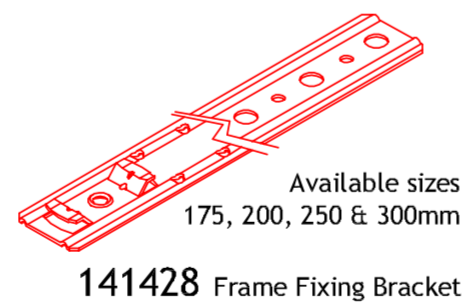
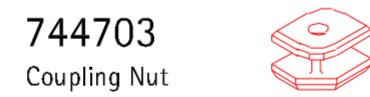
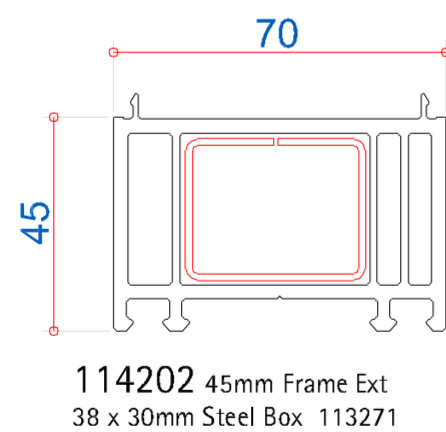
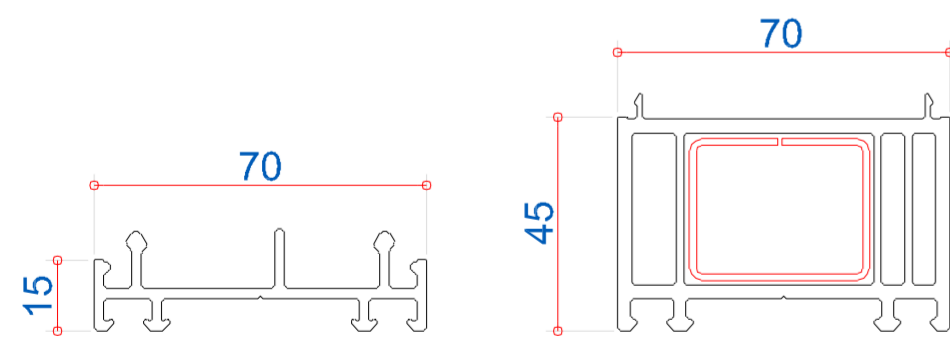
105037
155mm Cill Section
Steel U Channel 113321



105410 200mm Cill Section
Steel Box 113073



DO NOT SCALE the drawings shown are visual representations only. VEKA PLC has the right to alter the designs, specification & descriptions without prior notice as part of our policy of continuous development and improvements.



KEY:

- PVC
- Gasket
- Steel
- Aluminium

