

COMPANY: _____ REF: _____
 INVOICE TO: _____ PCODE _____
 SITE DELIVERY? TO: _____ PCODE _____
 EMAIL: _____

TEL: _____
 COLLECT
IS DOC Q REQ'D?
REQ'D DATE: _____

O/A SIZES MUST INCLUDE ALL ADDONS AND CILL

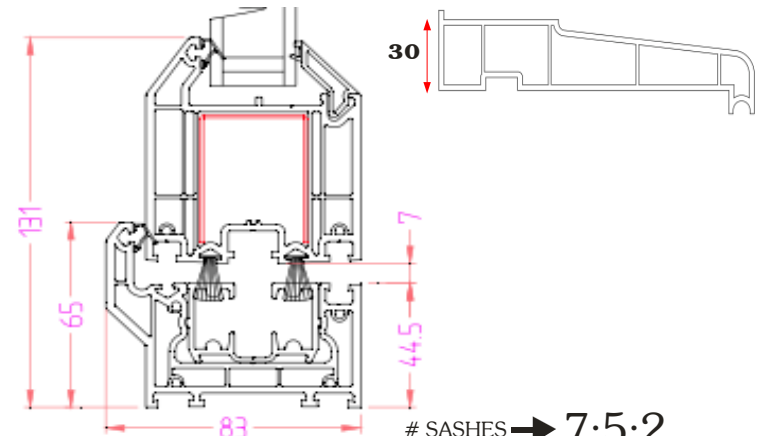
LEFT FOLD (AS DRAWN)	RIGHT FOLDING	LOCK TO TRAFFIC DOOR	ALL DOORS SHOWN AS OPEN OUT
3:3:0	3:0:3		
5:5:0	5:0:5		
7:7:0	7:0:7		
3:2:1	3:1:2		
4:3:1	4:1:3		
5:4:1	5:1:4		
6:5:1	6:1:5		
7:6:1	7:1:6		
5:3:2	5:2:3		
7:5:2	7:2:5		
6:3M:3	6:3:3M		
7:4:3	7:3:4		

PLEASE TICK TO CONFIRM NO EXTERNAL ACCESS IS REQUIRED ON THE BELOW STYLES - (NO TRAFFIC DOOR OR EXTERNAL LOCKING FACILITY)

LEFT FOLD (AS DRAWN)	RIGHT FOLDING	ALL DOORS SHOWN AS OPEN OUT	
2:2:0	2:0:2		MIN WIDTH 1465 NO EXT HANDLE OR LOCK
4:2M:2	4:2:2M		MIN WIDTH 2830 NO EXT HANDLE OR LOCK
4:4:0	4:0:4		MIN WIDTH 2775 NO EXT HANDLE OR LOCK
6:6:0	6:0:6		MIN WIDTH 4090 NO EXT HANDLE OR LOCK

SPECIFICATION	
EXT COLOUR	INT COLOUR
W	H
OPENING	OUT <input type="checkbox"/> IN <input type="checkbox"/>
THRESH	STANDARD THRESHOLD 65MM <input type="checkbox"/>
	INTERNAL USE ONLY ROOM DIVIDER 15MM <input type="checkbox"/>
	DOC-M ONE RAMP <input type="checkbox"/> DOC-M TWIN RAMPS <input type="checkbox"/>
CILL SIZE	150 <input type="checkbox"/> 180 <input type="checkbox"/> 85 <input type="checkbox"/> NONE <input type="checkbox"/>
BEAD	28MM OVOLO <input type="checkbox"/> 28MM FLAT <input type="checkbox"/>
LEVER/LEVER HANDLES	WHITE <input type="checkbox"/> BLACK <input type="checkbox"/> GOLD <input type="checkbox"/> BRONZE <input type="checkbox"/> CHROME <input type="checkbox"/> ANTIQUE BLACK <input type="checkbox"/> GRAPHITE <input type="checkbox"/>
INTERNAL D-HANDLE	WHITE <input type="checkbox"/> BLACK <input type="checkbox"/> CHROME <input type="checkbox"/>
SLOTVENTS	YES <input type="checkbox"/> NO <input type="checkbox"/> PLEASE INDICATE POSITIONS
GLAZING	

ADD-ONS (25 OR 50)	COMMENTS / SPECIAL INFO
TOP	
BOTTOM	
LEFT	
RIGHT	



IMPORTANT INFORMATION: ALL SIZES MUST BE FINISHED FRAME SIZES TO INCLUDE CILLS
 STYLE NUMBER: _____

IF SLOTVENTS ARE SHOWN ABOVE, THEY WILL BE FITTED INTO A TRAFFIC DOOR OR A 50MM ADDON DEPENDING ON THE FRAME