



QUOTE

quotes@swctradeframes.co.uk

EUROCELL SKYPOD

ORDER

orders@swctradeframes.co.uk

01723 582666

01723 582667

PAGE OF

COMPANY:	REF:	TEL:
INVOICE TO:	PCODE	
ROOF DELIVERY? <input type="checkbox"/> TO:	PCODE	COLLECT <input type="checkbox"/>
GLASS DELIVERY? <input type="checkbox"/> TO:	PCODE	
EMAIL:		

ROOF REQD DATE:
ROOF GLASS REQD DATE:

THE PLAN VIEW MUST SHOW THE ROOF WITH ANY WALL, RIDGES, HIPPS, DOWNPIPES, BOX GUTTERS AND VALLEYS. ALL SIZES MUST RELATE TO THE INSIDE CILL SIZE AND SHOW ANY CRITICAL RAFTER SPACINGS

COLOUR

WHITE MOONDUST GREY/WHITE

GOLDEN OAK/WHITE 7016 ANTH GREY/WHITE

ROSEWOOD/WHITE 7016 ANTH GREY BOTH SIDES

KOLORBOND RAL

GLAZING IF GLASS CHOSEN, BLACK SPACER BAR IS PROVIDED

AMBI BLUE 1.0 AMBI NEUTRAL 1.0

AMBI SUNSHADE BLUE 1.0 AMBI CLEAR 1.0

AMBI AQUA 1.0 AMBI BRONZE 1.0

AMBI ULTRA 1.0 AMBI SATIN PRIVACY 1.0

UNGLAZED FOR 24/25MM

POLYMER SEALANTS FOR ACTIVE GLASS ROOFS

WHITE BLACK NUMBER OF TUBES

ROOF VENT(S) – DRAW POSITION ON ROOF PLAN

MANUAL+BRASS POLE ELECTRIC WITH SWITCH

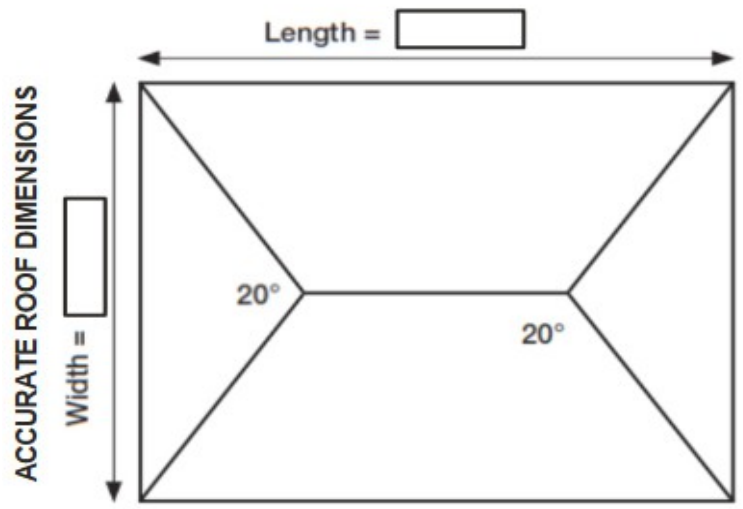
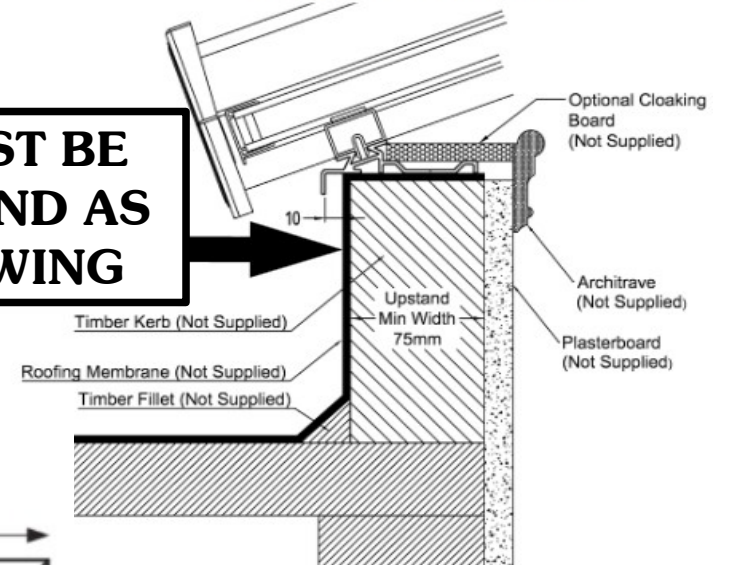
MANUAL+CHROME POLE CLIMATE (MAX 4 VENTS)

AVAILABLE SUBJECT TO DESIGN OF ROOF
MIN ROOF DIMENSIONS 1250X1900MM

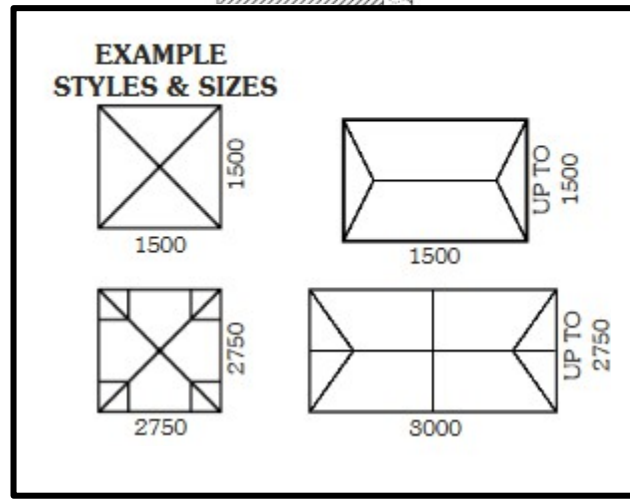
ADDITIONAL COMMENTS

YOUR ROOF SIZE MUST BE THE EXTERNAL UPSTAND AS SHOWN IN THIS DRAWING

MEASURING YOUR SKYPOD



MAX SIZE 2750 x 8700



Registered Office: SWC Trade Frames Limited, Unit 1, The Gateway, Dunslow Road, SCARBOROUGH, YO11 3UT
Registered in England Number 3088003

I/We confirm that the information given in this order is in all respects true and accurate. I/We confirm that I/We have read and understood the Terms & Conditions of sale and I/We unconditionally accept that those terms and conditions shall be the only ones that apply to all sale contracts which I/We may conclude with you.

SIGNATURE

FORM-107
V2.1 JUL 2018