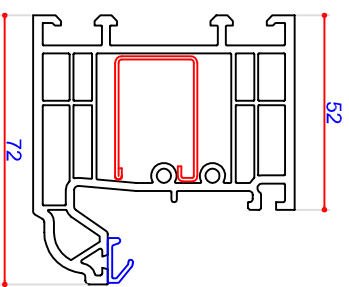
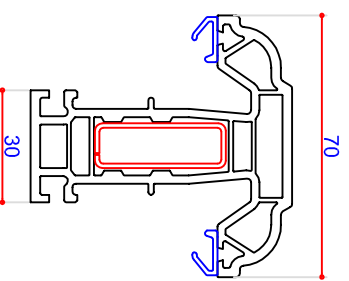


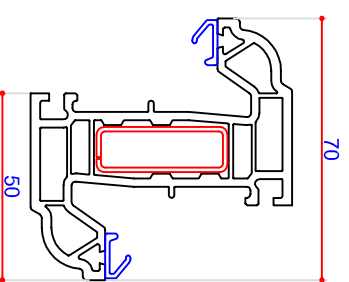
P10531
56mm Outer Frame
Steel U Channel S00185
Thermal Insert P10331



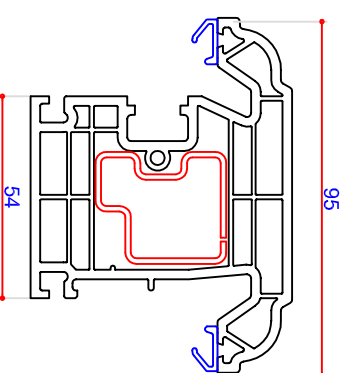
P10532
72mm Outer Frame
Steel U Channel S00186
Thermal Insert P10332



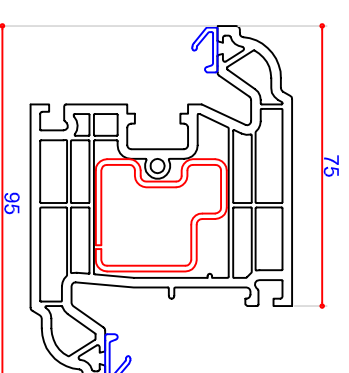
P10533
70mm T Transom
Steel Box S00187



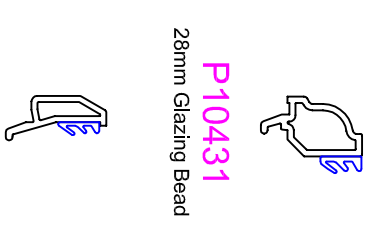
P10536
70mm Z Transom
Steel Box S00187



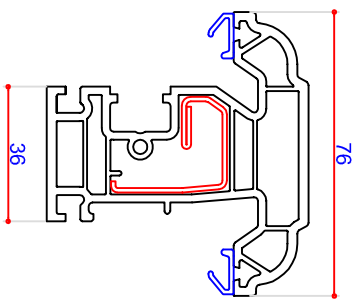
P10543
95mm T Tran/Slim Open Out Door Sash
Steel Box S00158
35 x 30 Ported Alu 715162



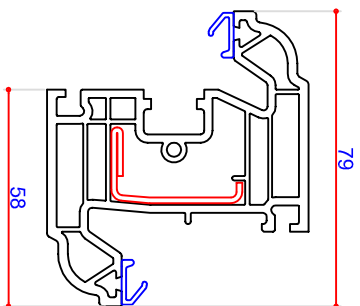
P10545
95mm Z Tran/Slim Open In Door Sash
Steel Box S00158



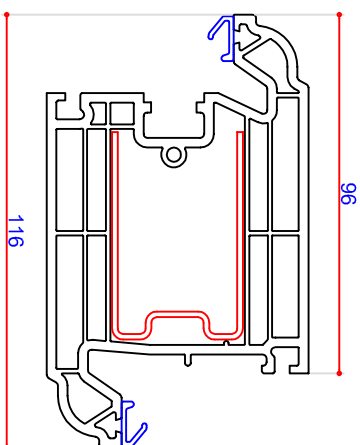
P10437
40mm Glazing Bead



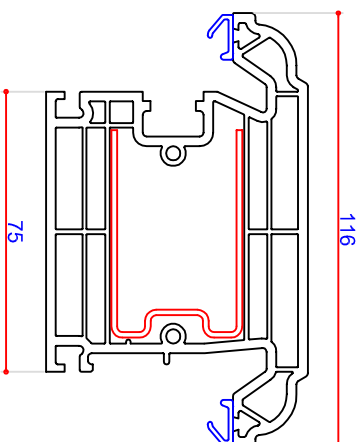
P10538
Internally Beaded Sash
Steel P Section S00152



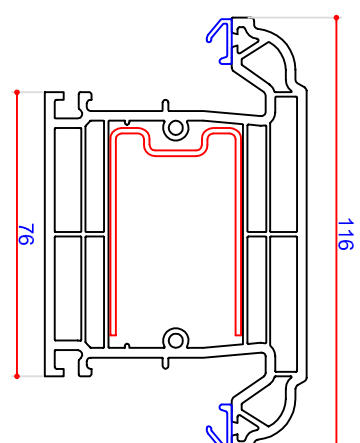
P10539
Tilt & Turn Sash
Steel L Section S00161



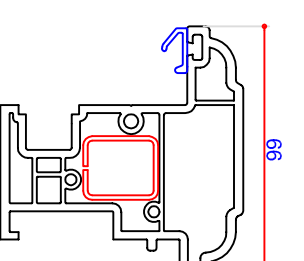
P10640
Door Sash - Open In
Steel U Channel S00166
Punched Steel U S00167



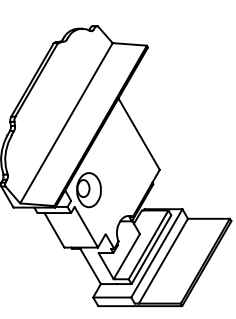
P10641
Door Sash - Open Out
Steel U Channel S00166
Punched Steel U S00167



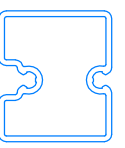
P10535
116mm Midrail
Steel U Channel S00166



P10612
French Overlap
Steel Box S41135



M00211
French Overlap End
Capto suit P10612



715162
35 x 30 Ported
Aluminium



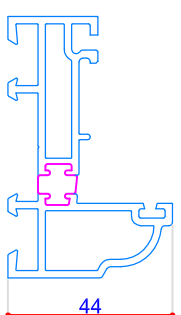
715164
13 x 23 Ported
Aluminium



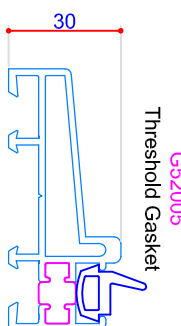
P10331
Thermal Insert



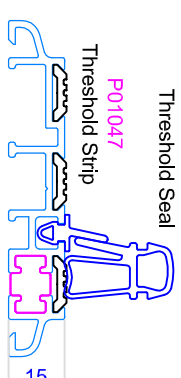
P10332
Thermal Insert



A00333
Aluminium Rebated Threshold



G52005
Threshold Gasket

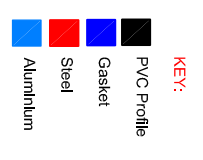


P01047
Threshold Seal

A00289
Part M Low Threshold
(Residential Doors Only)

G00087
Sash Seal
Rebate

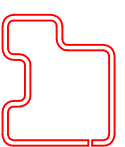
DO NOT SCALE the drawings shown are visual representations only. VEKA PLC has the right to alter the designs, specifications & descriptions without prior notice as part of our policy of continuous development and improvements.



S00187
12x35 Steel Box



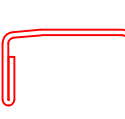
S41135
17x20 Steel Box



S00158
30x35 Steel Box



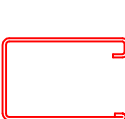
S00152
26x31 Steel P



S00161
20x35 Steel L



S00185
22x17.5 Steel U



S00186
22x35.5 Steel U



S00166
35x55.5 Steel U

The *Definitive* collection

