



## **PVCu Tilt & Turn Windows Concealed Tilt & Turn Gearing Adjustment Guide**

SWC Trade Frames Limited  
Unit 1, The Gateway  
Dunslow Road  
Eastfield  
Scarborough  
YO11 3UT

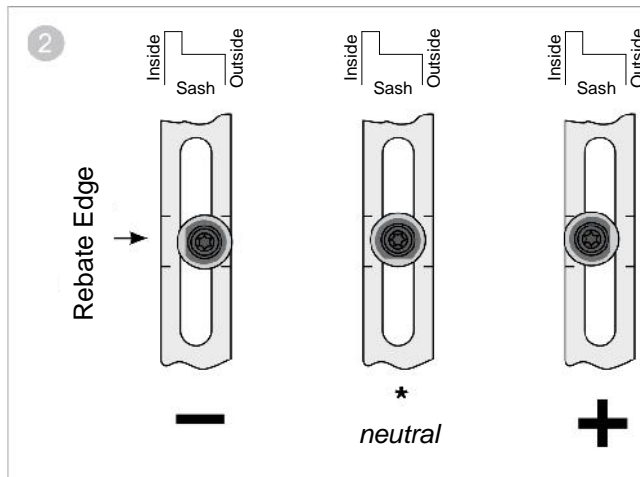
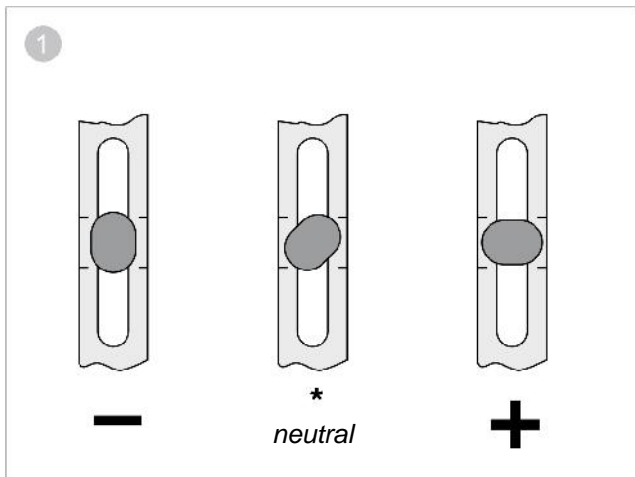
Tel: 01723 582666  
Fax: 01723 582667  
Email: [sales@swctradeframes.co.uk](mailto:sales@swctradeframes.co.uk)

Website: [www.swctradeframes.co.uk](http://www.swctradeframes.co.uk)

Issue 1: June 2015

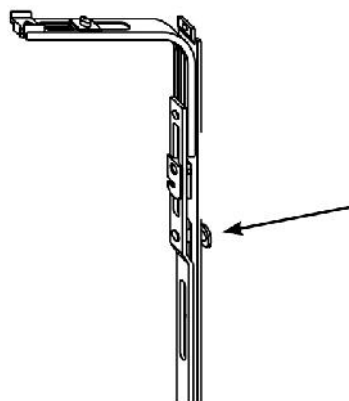
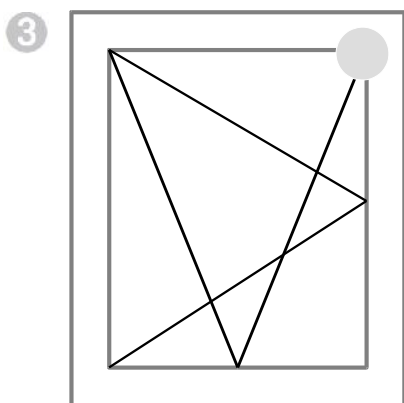
## Settings

### Adjusting gasket compression



① Locking cam  
9mm open ended spanner

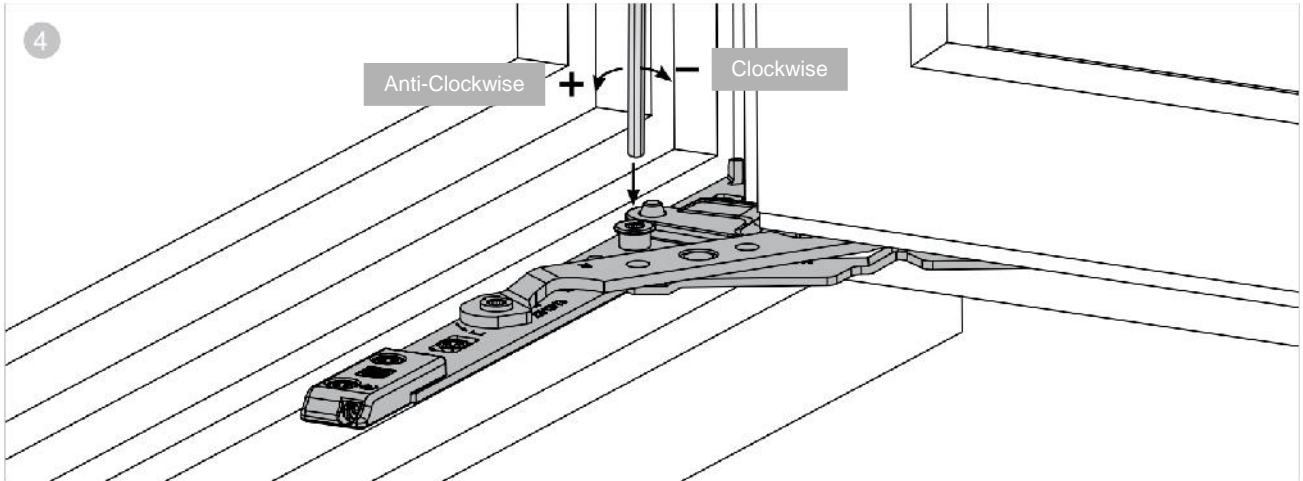
② i.S security rolling cam  
Torx-15



Locking point via locking cam on centre lock i.S.

## Settings

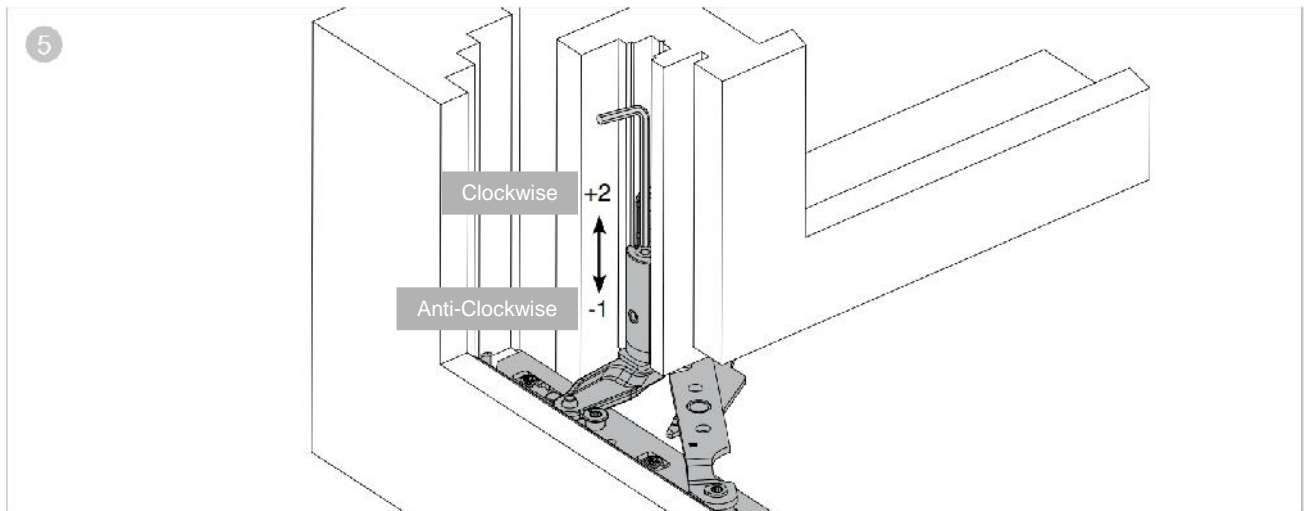
### Adjusting gasket compression



#### 4 Pivot Post (Bottom of frame)

$\pm 1\text{mm}$   
4mm Allen key

### Sash Height adjustment

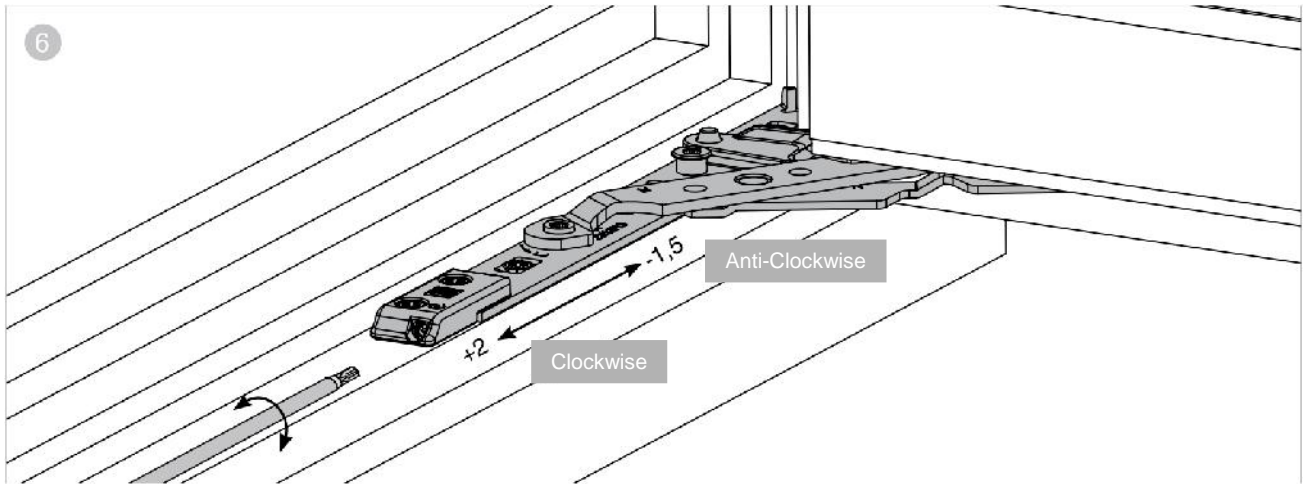


#### 5 Corner Support (Bottom of frame)

$+2/-1\text{mm}$   
4mm Allen key

## Settings

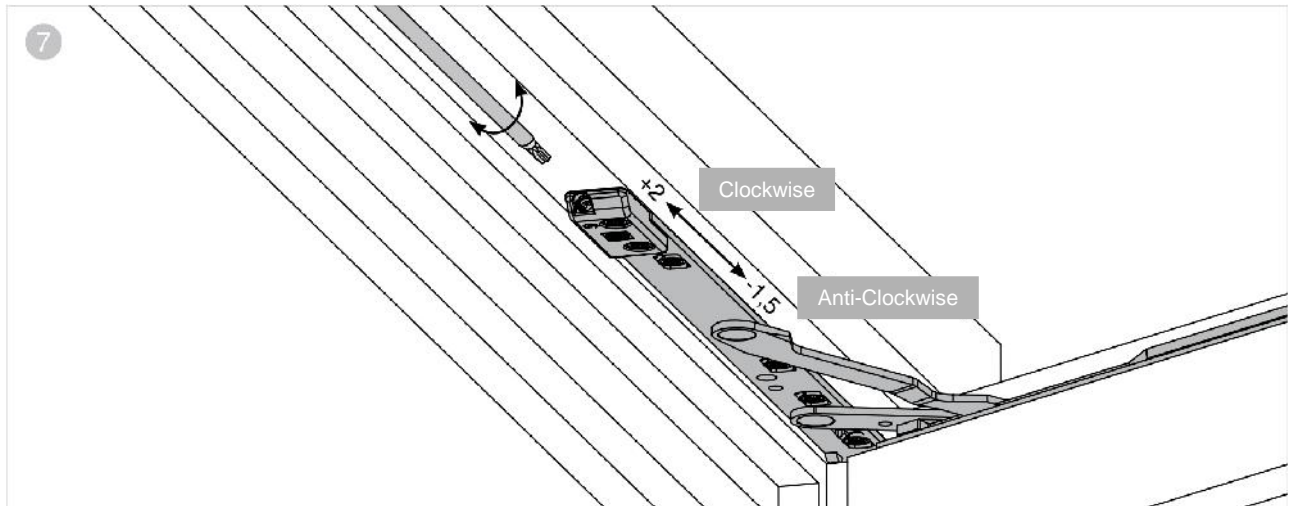
### Sash Lateral adjustment



#### 6 Corner Support (Bottom of Sash)

+2mm, -1.5mm  
Torx-15

### Sash Lateral adjustment



#### 7 Scissor-stay arm (Top of Sash)

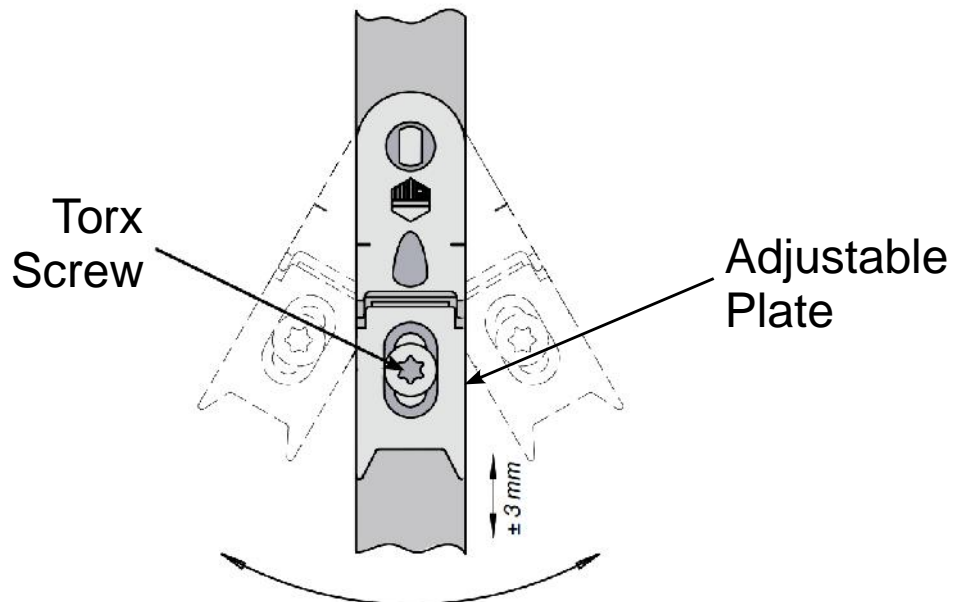
+2mm, -1.5mm  
Torx-15

## Settings

### Sash Lifter

The sash lifter ensures that the sash stays in the correct position when closed. Moving the position of the sash may affect the operation of sash lifter as it may not engage properly with the keep. As a result, the plate on the sash lifter might need to be adjusted to ensure it is in the correct position when the window sash is closed. The maximum amount of lift that the sash lifter should give is 0.5mm.

**Note:** The sash lifter is not intended to compensate for a poorly toe and heeled window.

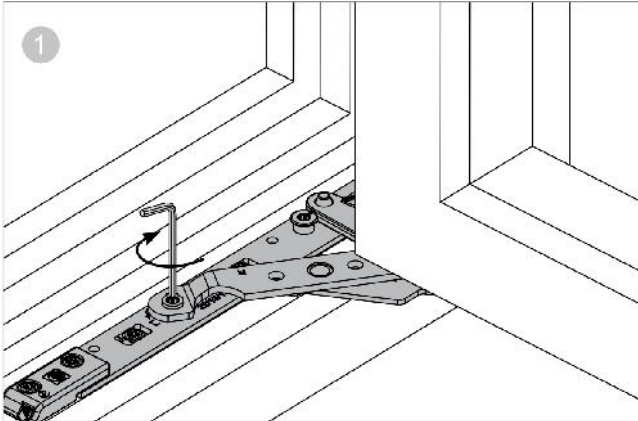


### Adjusting the Sash Lifter

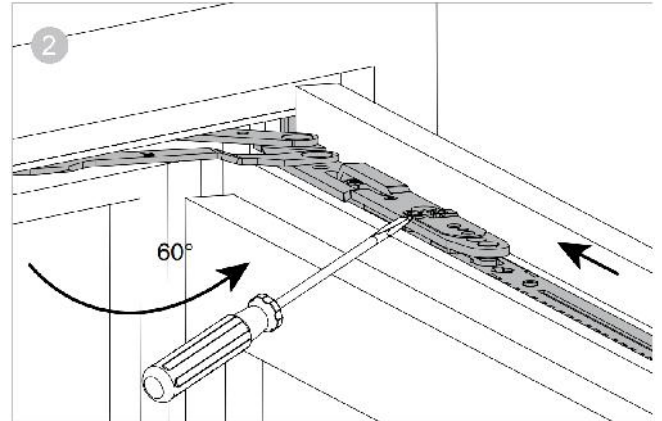
Loosen the set screw with a Torx-15 bit, set the height and re-tighten the screw.

**Note:** The sash lifter is also designed to help prevent the user accidentally operating the handle resulting in the the window being tilt and turn mode simultaneously.

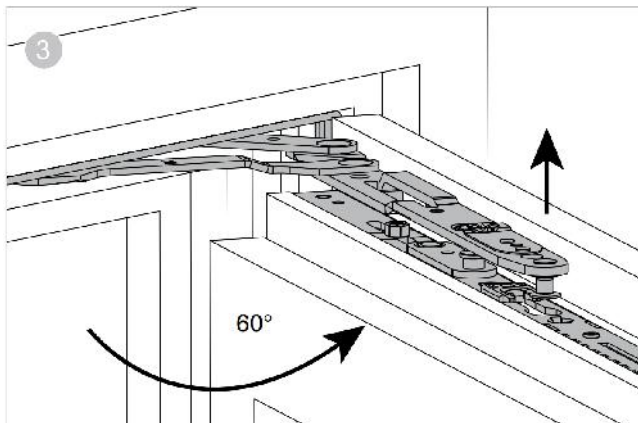
## Removing the Sash



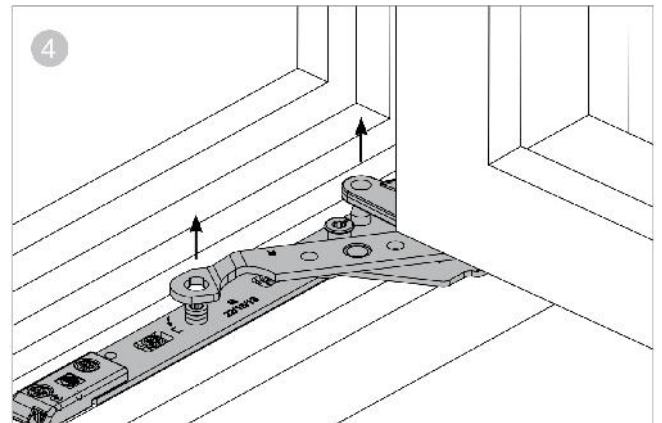
**1** Turn the eccentric pin up to the open position with a 4mm Allen key.



**2** Open the sash to 60° and press it against the frame. Lift up the catch.

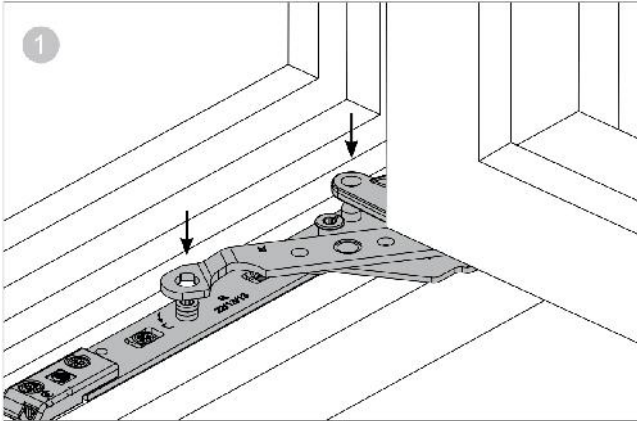


**3** Lift up the scissors-stay arm so that the guide pin is free.

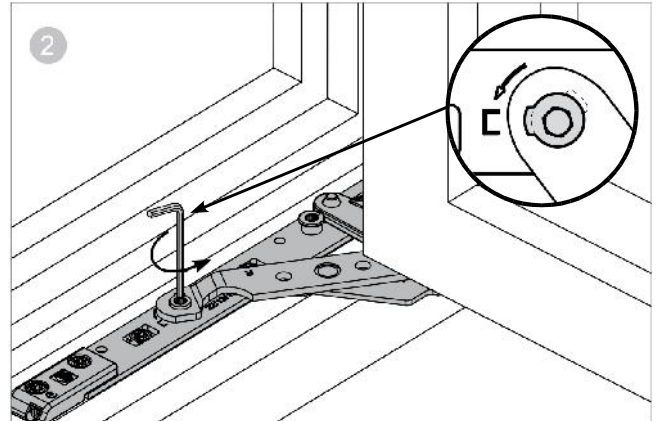


**4** Remove the sash.

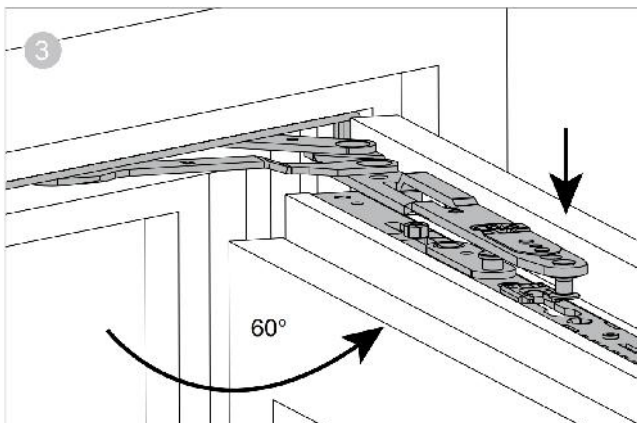
## Hanging the Sash



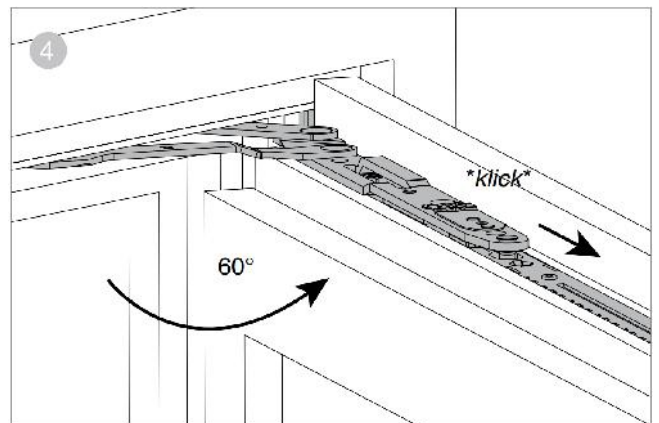
**1** Mount the corner support.



**2** Turn the eccentric pin with a 4mm allen key (refer to the notched marking on the fitting). See insert.

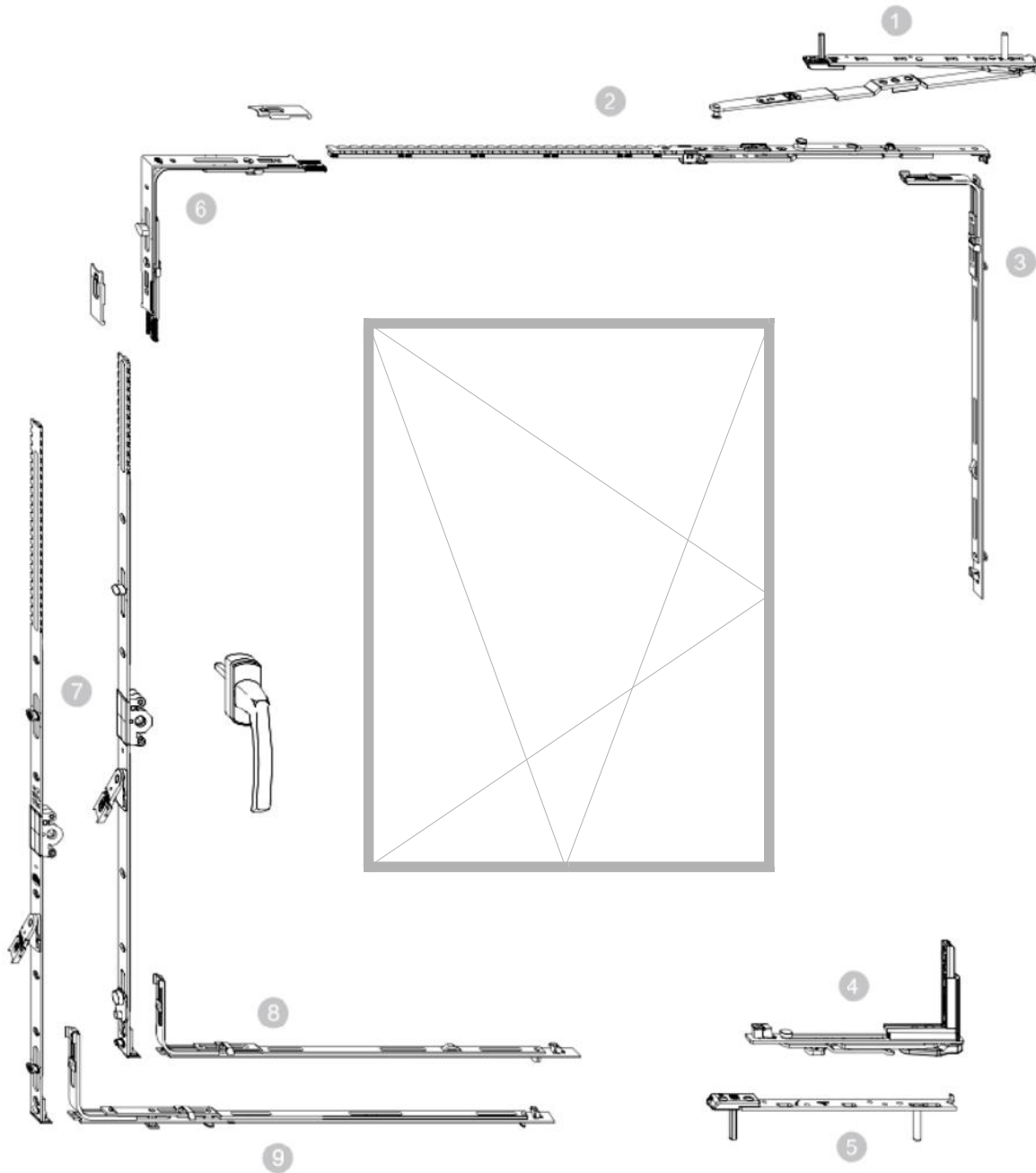


**3** Open the sash to 60°. Depress the scissor-stay arm guide pin into the scissiors-stay-guide.



**4** Pull the sash in the direction of the arrow so that the scissor-stay arm clicks into the guide.

## Concealed Tilt & Turn Gearing Overview



- |                              |                            |
|------------------------------|----------------------------|
| ① Scissor stay with hinge VV | ⑥ Corner Element           |
| ② Stay guide VV              | ⑦ Drive Gear               |
| ③ Centre Lock i.S            | ⑧ Centre lock              |
| ④ Corner Support VV          | ⑨ Horizontal tilt-lock i.S |
| ⑤ Pivot post VV              |                            |