

COMPANY:	REF:	TEL:
INVOICE TO:	PCODE	COLLECT <input type="checkbox"/>
ROOF DELIVERY? <input type="checkbox"/> TO:	PCODE	ROOF REQD DATE:
GLASS DELIVERY? <input type="checkbox"/> TO:	PCODE	ROOF GLASS REQD DATE:
EMAIL:		

THE PLAN VIEW MUST SHOW THE ROOF WITH ANY WALL, RIDGES, HIPPS, DOWNPIPES, BOX GUTTERS AND VALLEYS. ALL SIZES MUST RELATE TO THE INSIDE CILL SIZE AND SHOW ANY CRITICAL RAFTER SPACINGS

COLOUR

WHITE MOONDUST GREY/WHITE
 GOLDEN OAK/WHITE 7016 ANTH GREY/WHITE
 ROSEWOOD/WHITE 7016 ANTH GREY BOTH SIDES

KOLORBOND RAL

GLAZING IF GLASS CHOSEN, BLACK SPACER BAR IS PROVIDED

AMBI BLUE 1.0 AMBI NEUTRAL 1.0
 AMBI SUNSHADE BLUE 1.0 AMBI CLEAR 1.0
 AMBI AQUA 1.0 AMBI BRONZE 1.0
 AMBI ULTRA 1.0 AMBI SATIN PRIVACY 1.0
 UNGLAZED FOR 24/25MM

POLYMER SEALANTS FOR ACTIVE GLASS ROOFS

WHITE BLACK NUMBER OF TUBES

ROOF VENT(S) – DRAW POSITION ON ROOF PLAN

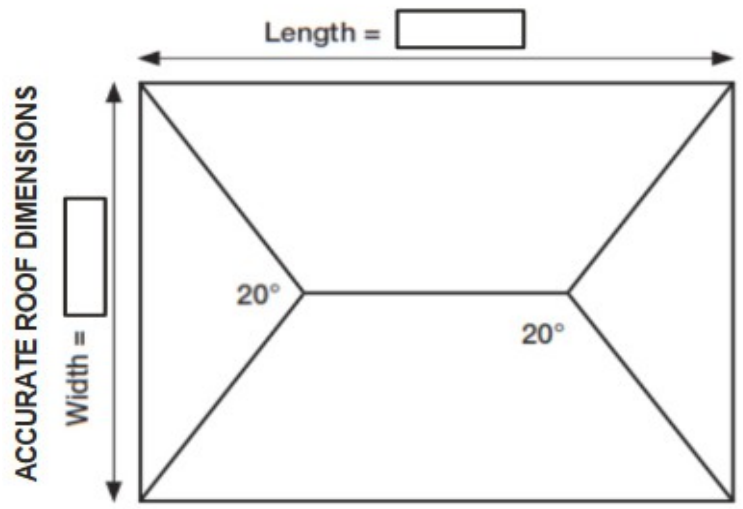
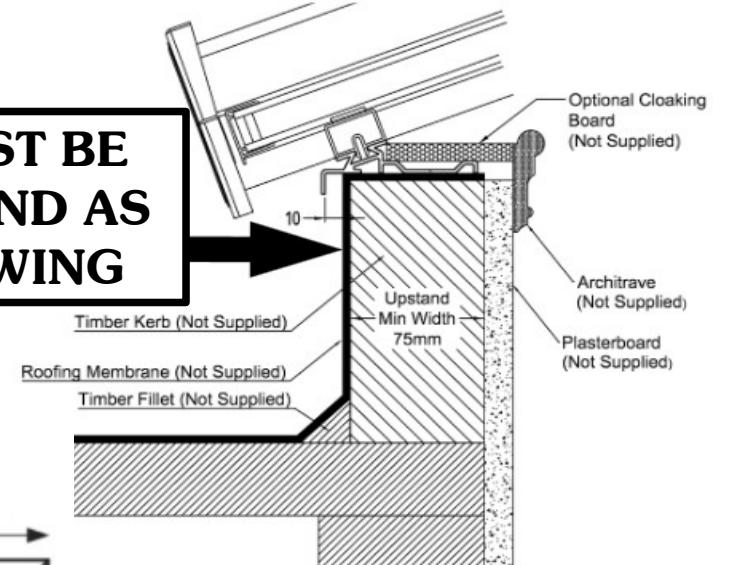
MANUAL+BRASS POLE ELECTRIC WITH SWITCH
 MANUAL+CHROME POLE CLIMATE (MAX 4 VENTS)

**AVAILABLE SUBJECT TO DESIGN OF ROOF
MIN ROOF DIMENSIONS 1250X1900MM**

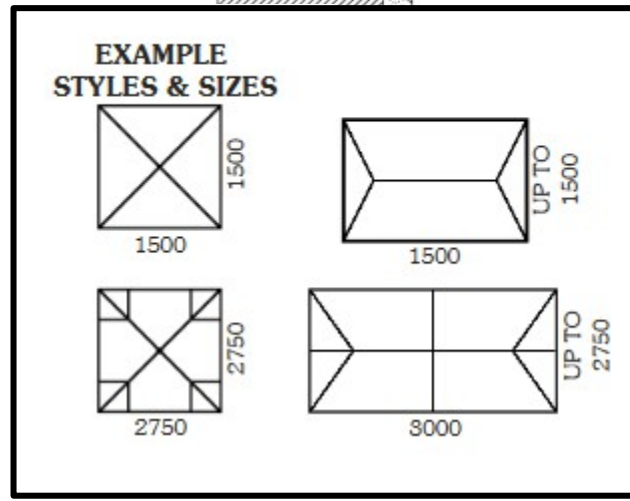
ADDITIONAL COMMENTS

YOUR ROOF SIZE MUST BE THE EXTERNAL UPSTAND AS SHOWN IN THIS DRAWING

MEASURING YOUR SKYPOD



MAX SIZE 2750 x 8700



SIGNATURE