

COMPANY:	REF:
INVOICE TO:	PCODE
ROOF DELIVERY? <input type="checkbox"/> TO:	PCODE
GLASS DELIVERY? <input type="checkbox"/> TO:	PCODE
EMAIL:	

TEL:

COLLECT

ROOF REQD DATE:
ROOF GLASS REQD DATE:

THE PLAN VIEW MUST SHOW THE ROOF WITH ANY WALL, RIDGES, HIPPS, DOWNPIPES, BOX GUTTERS AND VALLEYS. ALL SIZES MUST RELATE TO THE INSIDE CILL SIZE AND SHOW ANY CRITICAL RAFTER SPACINGS

FRAME DEPTH MM SWC USE 70MM	HEIGHT RESTRICTION MM HEIGHT FROM FINISHED FLOOR TO UNDERSIDE OF RESTRICTION	
ROOF PITCH DEGREES	Finished Floor	

COLOUR

WHITE CHERRY CHERRY/WHITE KOLORBOND RAL

ROSE ROSE/WHITE

7016 ANTH GREY 7016 ANTH GREY/WHITE

GLAZING

IF GLASS CHOSEN, BLACK SPACER BAR IS PROVIDED

ANY ROOFS WITH GLASS >3210mm WILL HAVE 1.2 U-VALUE GLAZING

AMBI BLUE 1.0 <input type="checkbox"/>	AMBI NEUTRAL 1.0 <input type="checkbox"/>
AMBI SUNSHADE BLUE 1.0 <input type="checkbox"/>	AMBI CLEAR 1.0 <input type="checkbox"/>
AMBI AQUA 1.0 <input type="checkbox"/>	AMBI BRONZE 1.0 <input type="checkbox"/>
AMBI ULTRA 1.0 <input type="checkbox"/>	AMBI SATIN PRIVACY 1.0 <input type="checkbox"/>
OPAL POLY 25MM <input type="checkbox"/>	OPAL POLY 32MM <input type="checkbox"/>
BRONZE POLY 25MM <input type="checkbox"/>	BRONZE POLY 32MM <input type="checkbox"/>
BRONZE/OPAL POLY 25MM <input type="checkbox"/>	BRONZE/OPAL POLY 32MM <input type="checkbox"/>
CLEAR POLY 25MM <input type="checkbox"/>	CLEAR POLY 32MM <input type="checkbox"/>
HEATGUARD POLY 25MM <input type="checkbox"/>	HEATGUARD POLY 32MM <input type="checkbox"/>
UNGLAZED FOR 24/25MM <input type="checkbox"/>	UNGLAZED FOR 32MM <input type="checkbox"/>

CRESTING/FINIAL JACOBAN NOT AVAILABLE IN 7016 ANTH GREY

JACOBAN (PVC) REGENCY (ALI) CRESTLESS

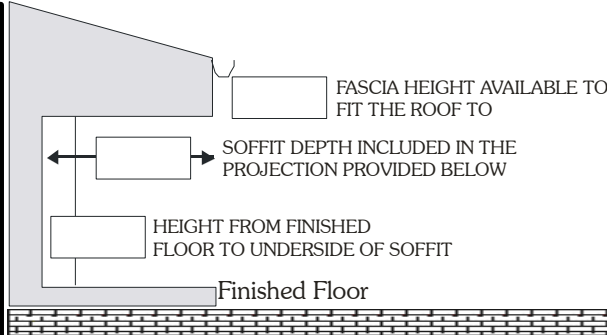
POLYMER SEALANTS FOR ACTIVE GLASS ROOFS

WHITE BLACK NUMBER OF TUBES

ROOF VENT(S) – DRAW POSITION ON ROOF PLAN

MANUAL + BRASS POLE ELECTRIC WITH SWITCH

MANUAL + CHROME POLE CLIMATE (MAX 4 VENTS)

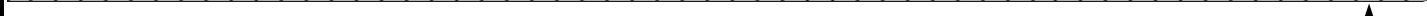
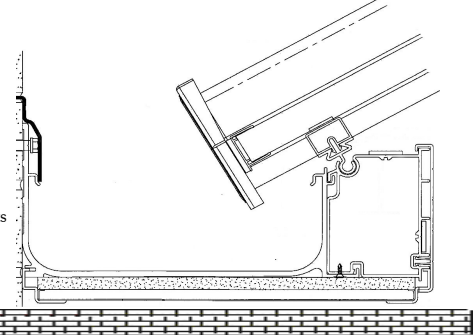


BOX GUTTER

297W 125H

BOX GUTTER SIZES BASED ON SWC FRAMES.

The box gutter must be supported at 2.25 metre intervals along its length. These supports can be either Gallows Brackets, Brick Pier or Structural Mullion. In all cases, please ensure the brickwork of sound quality.

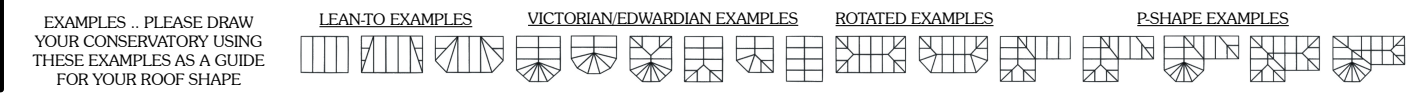


WHEN GABLE CONSERVATORIES ARE ORDERED, SWC RECOMMEND THE EAVES BEAM SHOULD BE RUN ROUND THE FRONT. THIS IS AT OUR DISCRETION UNLESS STATED

WIDTH
MM

MARK YOUR DOWNPIPE WITH A CIRCLE

PROJECTION
MM



SIGNATURE